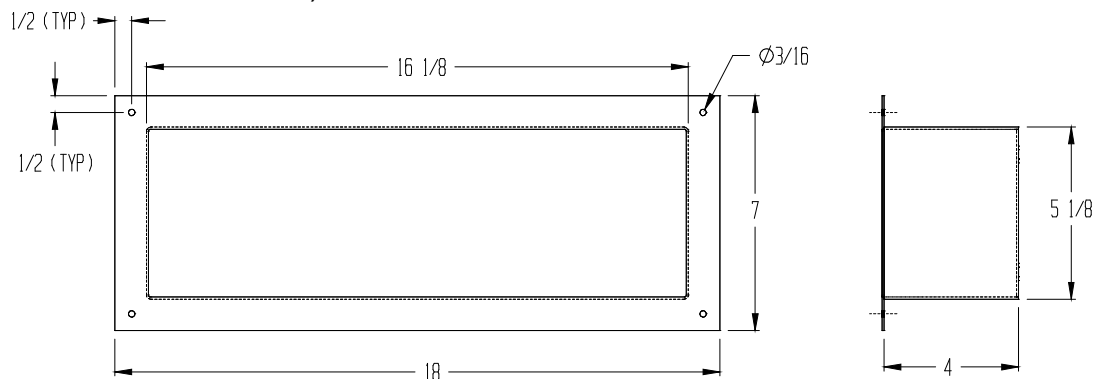


## Installation and Care of SP-4 Recessed Shelf

**Warning:** This product is ligature-resistant only when properly installed. A loosened fixture can easily be tied to. Any product which can be removed can be used as a weapon!

### **Installation:**

1. Cut a 16.5" x 5.5" rough opening in the wall.
2. Secure to the wall using fasteners<sup>1</sup> through the 3/16" mounting holes in the flanges. Refer to the diagram below for mounting hole locations. Use anchors as appropriate to ensure a structurally sound attachment. (Anchors and fasteners not included.)



3. Verify that the recessed shelf cannot be loosened or removed. Fill any gaps between the wall and the flange with a security sealant (such as Pecora Dynapoxy EP-1200).

**Care and Maintenance:** Clean with soft rag and mild detergent. Do not use caustic or abrasive cleaners. If discoloration occurs, use 3M Stainless Steel Cleaner and Polish with a soft cloth or Scotch Brite.

<sup>1</sup> Security fasteners are strongly recommended. The selection of a particular size and type of security fastener should be made in conjunction with a facility manager, because it depends upon factors such as construction materials and institutional standards.