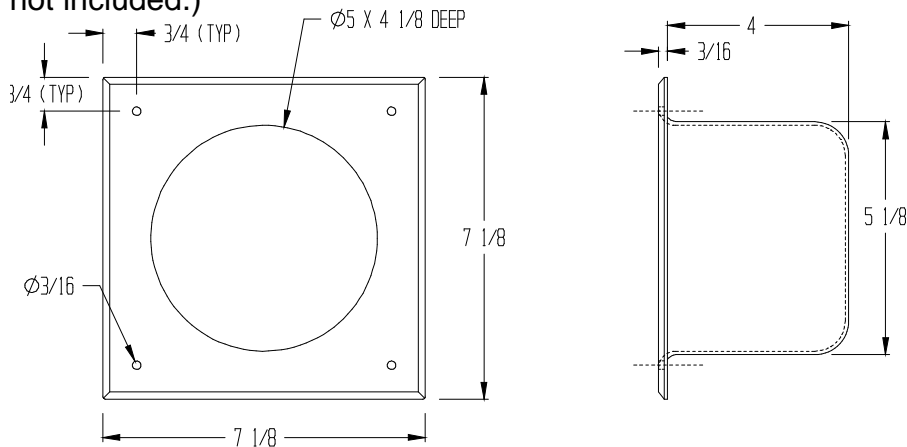


Installation and Care of SP-5 Recessed Toilet Paper Holder

Warning: This product is ligature-resistant only when properly installed. A loosened fixture can easily be tied to. Any product which can be removed can be used as a weapon!

Installation:

1. Cut a 5.5" diameter rough opening in the wall.
2. Secure to the wall using fasteners¹ through the 3/16" mounting holes in the flanges. Refer to the diagram below for mounting hole locations. Use anchors as appropriate to ensure a structurally sound attachment. (Anchors and fasteners not included.)



3. Verify that the toilet paper holder cannot be loosened or removed. Fill any gaps between the wall and the flange with a security sealant (such as Pecora Dynapoxy EP-1200).

Care and Maintenance: Clean with soft rag and mild detergent. Do not use caustic or abrasive cleaners. If discoloration occurs, use 3M Stainless Steel Cleaner and Polish with a soft cloth or Scotch Brite.

¹ Security fasteners are strongly recommended. The selection of a particular size and type of security fastener should be made in conjunction with a facility manager, because it depends upon factors such as construction materials and institutional standards.