

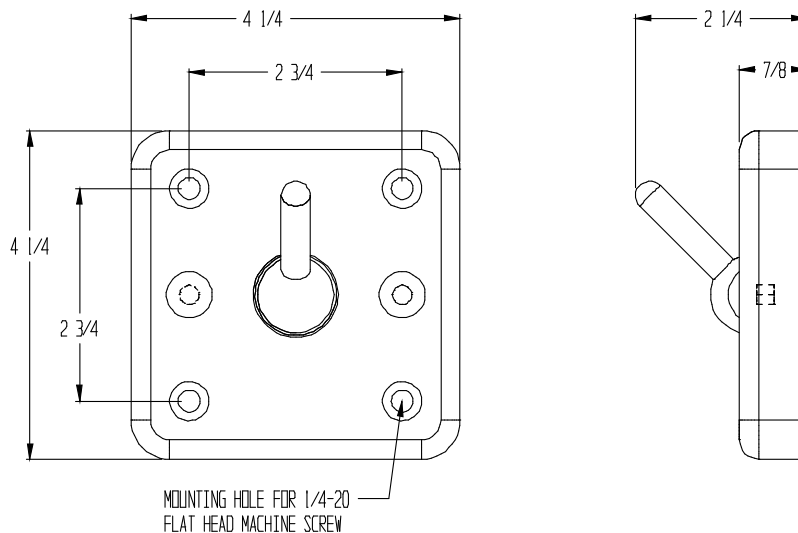
SP-6A Adjustable Ligature-Resistant Hook: Installation, Maintenance, & Operation

Warning: This product is ligature-resistant only when properly installed. A loosened fixture can easily be tied to. Any product which can be removed can be used as a weapon!

Installation:

1. Verify satisfactory release force before installing. Make sure that the direction of motion with the maximum release force is up and down (see Operation section). Tighten or loosen the elastic stop nuts on the rear of the unit as necessary to set adjust the release force.

2. Refer to the diagram below for mounting hole locations. Secure to the wall using $\frac{1}{4}$ -20 fasteners¹. Use anchors as appropriate to ensure a structurally sound attachment. (Anchors and fasteners not included.)



¹ Security fasteners are strongly recommended. The selection of a particular size and type of security fastener should be made in conjunction with a facility manager, because it depends upon factors such as construction materials and institutional standards.

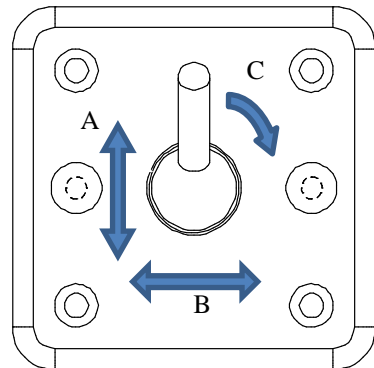
3. Verify that release force is still within specifications after installation. (Deflection of the housing or the wall due to over-tightening can increase the release force.)

4. Verify that the unit cannot be loosened or removed. Fill any gaps between the wall and the hook with a security sealant (such as Pecora Dynapoxy EP-1200).

Note: Installation at 6' height or greater is recommended to reduce possibility of injury from the protruding hook.

Operation:

- The hook swings downward when a force is applied that exceeds the pre-set release force.
- For most hooks, the release force is different if the hook is moved up and down (A) as compared to right and left (B).
- If the release force is too low, it is likely that the hook has rotated from the pre-set position. Rotate (C) the hook and check the tension in the up and down direction (A). Repeat until the maximum tension is felt in the up and down direction.



Care and Maintenance:

- Clean with soft rag and mild detergent. Do not use caustic or abrasive cleaners. If discoloration occurs, use 3M Stainless Steel Cleaner and Polish with a soft cloth or Scotch Brite
- Periodically check release force to verify proper operation. The release force can increase if dirt, grime, or other substances are allowed to build up on the ball at the base of the hook. It may become necessary to remove the hook from the wall and perform an adjustment.