

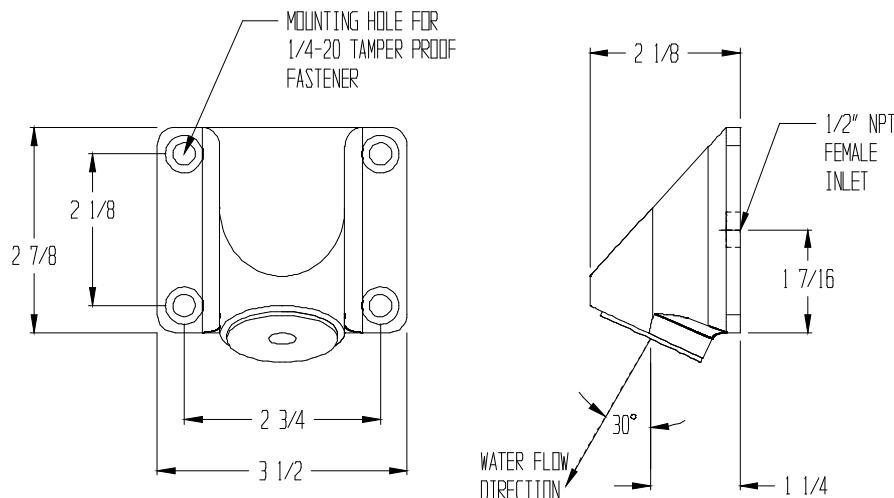
## Installation and Care of SP-7TF Tub Filler

**Warning:** This product is ligature-resistant only when properly installed. A loosened fixture can easily be tied to. Any product which can be removed can be used as a weapon!

### **Installation:**

1. The bottom of the SP-7TF must be located at an elevation higher than the tub wall. (A ligature strung over the tub wall cannot be permitted to exert upward or direct sideways force on the SP-7TF.)

2. Install in accordance with local plumbing codes. Flush pipes prior to installation. Secure to the wall using 1/4-20 fasteners<sup>1</sup>. Use anchors as appropriate to ensure a structurally sound attachment. (Anchors and fasteners not included.)



3. Verify that the tub filler cannot be loosened or removed. Fill any gaps between the wall and the tub filler with a security sealant (such as Pecora Dynapoxy EP-1200).

<sup>1</sup> Security fasteners are strongly recommended. The selection of a particular size and type of security fastener should be made in conjunction with a facility manager, because it depends upon factors such as construction materials and institutional standards.



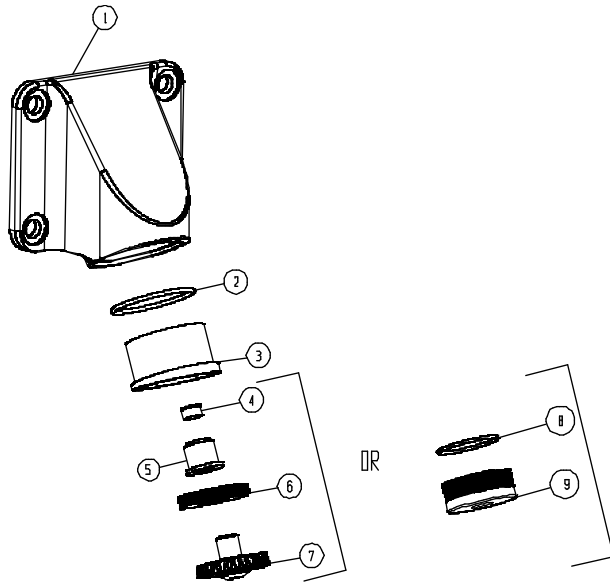
Odd Ball Industries

**Ligature-Resistant Safety Products**

**Care and Maintenance:**

- Clean with soft rag and mild detergent. Do not use caustic or abrasive cleaners.
- For replacement parts, refer to the diagram below.

FIND NO.	DESCRIPTION	QTY
1	SHOWER HEAD BODY	1
2	O-RING	1
3	ADAPTER (ANGLE CONTROL)	1
4	FLOW CONTROL	1
5	BRASS BUSHING	1
6	RETAINER	1
7	FACE PLATE WITH SCREW	1
8	O-RING, Buna, 1-1/16" ID X 1/8" THICK	1
9	07210MCH NOZZLE, TUB FILLER	1



SP-7 IS COMPRISED OF NO. 1 THROUGH 7

SP-7TF IS COMPRISED OF NO. 1 THROUGH 3,  
NO. 5, NO. 8, AND NO. 9