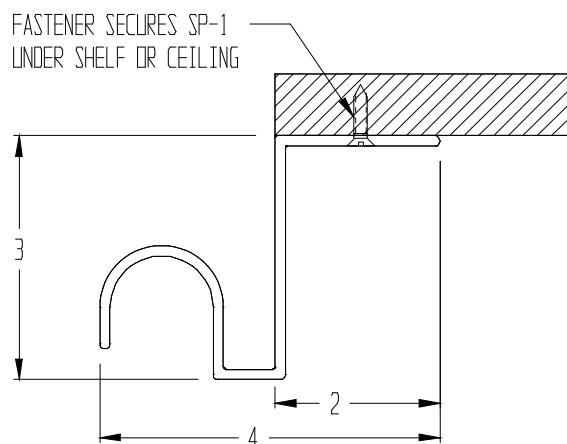


Installation and Care of SP-1 Closet “Bar”

Warning: This product is ligature-resistant only when properly installed. A loosened fixture can easily be tied to. Any product which can be removed can be used as a weapon!

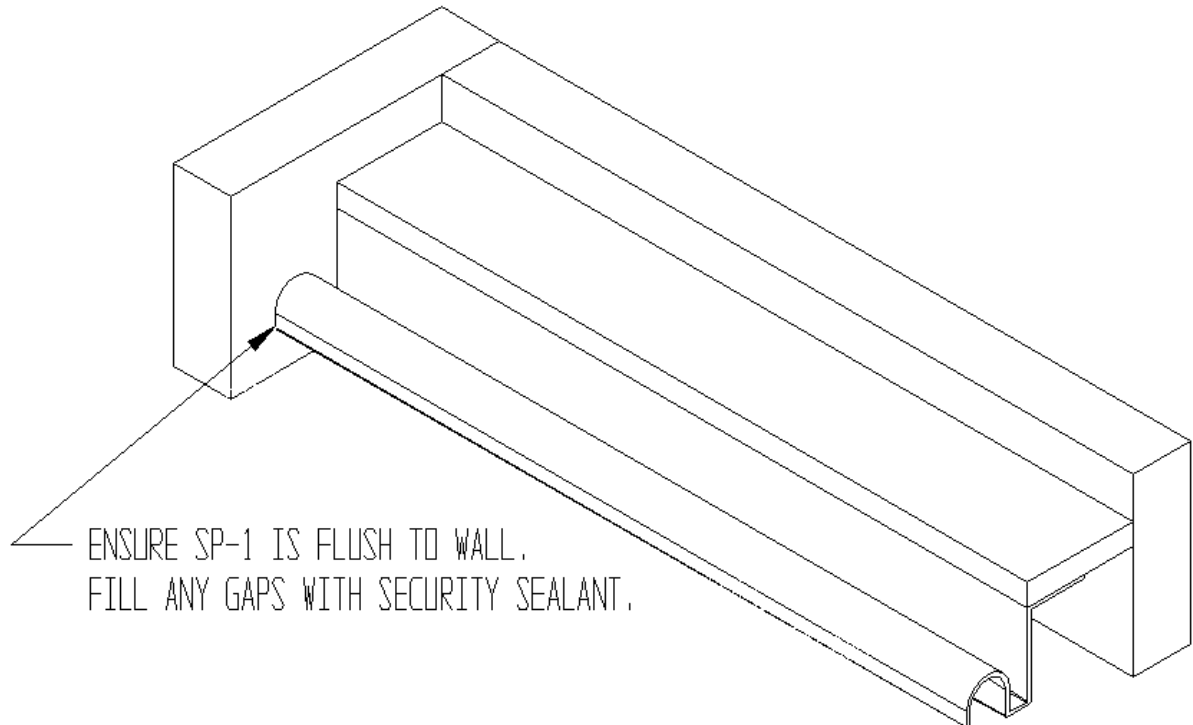
Installation:

1. When viewed from the front, either the right side or left side (or preferably both) must be flush to a wall. Each closet should be individually and uniquely fitted so that no space is allowed between the SP-1 and the wall.
2. As shown below, fasten¹ the SP-1 to the bottom of a shelf or the closet ceiling. (Fasteners not included.)



¹ Security fasteners are strongly recommended. The selection of a particular size and type of security fastener should be made in conjunction with a facility manager, because it depends upon factors such as construction materials and institutional standards.

3. Verify that the SP-1 cannot be loosened or removed. If any gaps exist between the SP-1 and the walls or the shelf, fill them with a security sealant (such as Pecora Dynapoxy EP-1200).



4. After the facility has chosen the type of coat hanger they will be using, a pullout/break load test should be performed. Then, the number of coat hangers should be restricted such that tying around all of them cannot support a dangerous amount of weight.

Care and Maintenance: Clean with soft rag and mild detergent. Use Scotch Brite to remove superficial scratches and blemishes.