

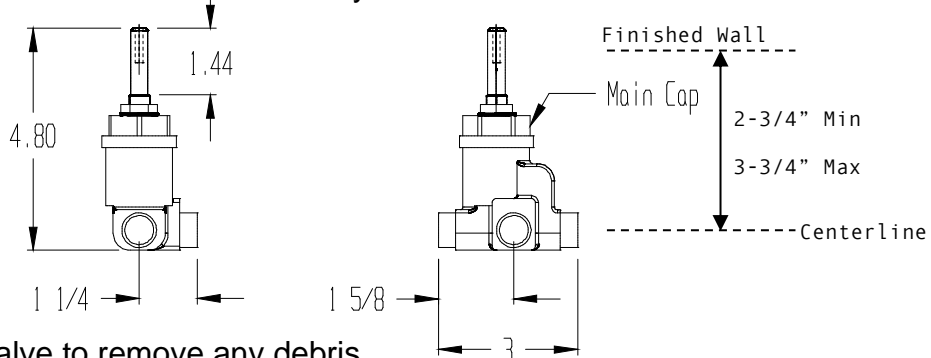
Installation, Operation, and Maintenance of SP-12 Diverter Valve

Warning: This product is ligature-resistant only when properly installed. A loosened fixture can easily be tied to. Any product which can be removed can be used as a weapon!

Note: Videos for installing and removing the handles are available on our website on the SP-12 product pages.

Installation:

1. Unscrew the main cap and carefully remove the stem and plunger with a twisting motion.
2. Install piping into valve's 1/2" sweat connections. The inlet direction of flow is marked with an arrow on the valve body.



3. Flush the valve to remove any debris
4. Re-assemble the valve, careful not to pinch any O-rings.
5. Allow for a 1-3/4" to 2-1/4" access hole in the wall for valve servicing.
6. Secure the 4" OD escutcheon plate to the wall, carefully centered on stem. Test fit the handle for centering in the escutcheon plate before tightening. Remove the handle.
7. Coat the stem splines with Never-Seez Mariner's Choice or equivalent. (Never-Seez products are made by Bostik; 800-523-2678). **In the future, you will not be able to remove the handle non-destructively if you skip this step.**



Ligature-Resistant Safety Products

8. Place the included Teflon gasket in the escutcheon plate. Push the handle onto the stem until it hits the gasket and plate. Turn the handle. If the handle is difficult to turn, back it out slightly¹. Try turning the handle again. Repeat until the handle turns easily.

Note: *The handle must be fully recessed in the escutcheon plate.*

9. Obtain an 8-32 flat head stainless steel screw² of appropriate length to secure the handle to the stem. **THIS SCREW IS NOT PROVIDED.**

10. Apply Loctite 220 or equivalent to the leading threads of the screw. Install the handle screw until the head is seated in the countersink, but do not compress the handle against the gasket (or the handle will bind). Back out the handle and repeat if necessary.

Removing The Handle: (Video available on our website)

1. Remove the handle screw. Significant force may be required due to the use of Loctite, so be careful not to damage the screw head.

2. Thread a 1/4-20 machine screw into the handle. It will bottom against the valve stem and lift the handle off the stem as the screw is turned.

Note: *If the handle cannot be removed in this manner, it is likely that an anti-seizing agent was not used during installation. It will be necessary to remove the handle using destructive means.*

Operation:

- The flow of water from is re-directed from one outlet to the other as the handle is continuously rotated in either direction.
- This valve is not designed for use as a shut-off.

Care and Maintenance:

- *Handle:*
 - Only clean with mild detergent and a non-abrasive cloth. Aggressive cleaning techniques may remove the finish.
 - Seal any chips, cracks, or scratches in the coating with clear nail polish to prevent future peeling or flaking.
- *Valve:* No maintenance required. Contact Odd Ball Industries for parts.

¹ If you have difficulty backing out the handle, use a long 1/4-20 screw to function as a jack bolt. See removal instructions for details.

² Security fasteners are strongly recommended. The selection of a security fastener should be made in conjunction with a facility manager.

Ligature-Resistant Safety Products

Model Z7000-DV-2P

2 Way Diverter Valve



□ Installation □ Maintenance Instructions

The ZURN 2 way three port Diverter Valve is designed for Tub & Shower and Handwall applications. The valve comes standard with copper sweat end connections.

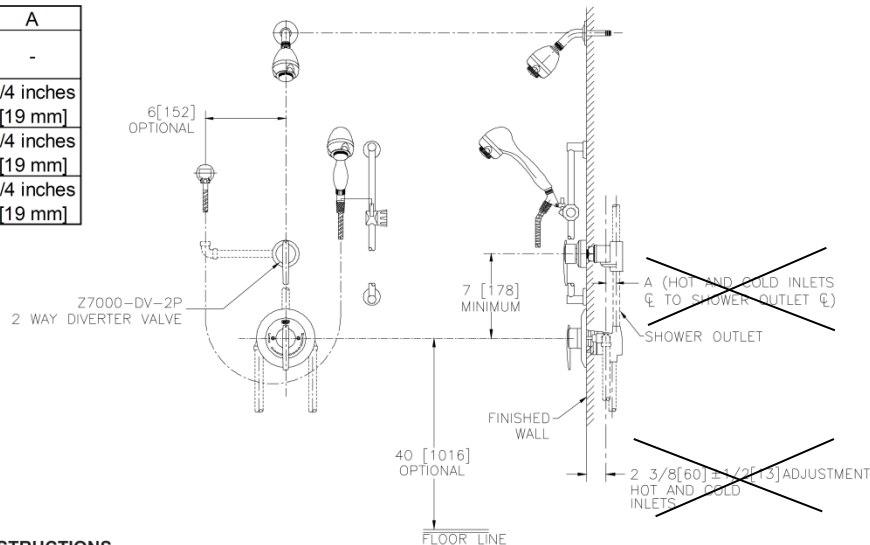
Please note that the ZURN 2-Way Diverter Valve is not to be used as a shut-off valve. The Diverter valve is designed to change water direction only.

In health and medical applications, specify the Z7000-SC option for the installation of in-line dual checks on the hot and cold supplies.

Position the 2-Way Diverter Valve on the shower discharge line of any of the ZURN Temp-Gard Shower or Tub & Shower valve products. Install with a minimum installation distance of 7 inches center to center from the ZURN Temp-Gard product. The Diverter inlet port is the port with the largest vertical hump, and a directional arrow is also cast onto the body. Make sure that the inlet port directly faces the Shower Valve shower port discharge when piping.

Z7101-SS-LH-DV2P-HW PICTURED

	A
Z7100	-
Z7101	-
Z7120	3/4 inches
Z7121	[19 mm]
Z7200	3/4 inches
Z7201	[19 mm]
Z7220	3/4 inches
Z7221	[19 mm]



INSTALLATION INSTRUCTIONS

1. Install piping from diverter valve to desired handwall, shower head or tub spout locations.
2. Remove main cap and gently lift while twisting the valve stem. Remove the valve stem with plunger, main cap and spring.
3. Flush valve with water and remove all debris.
4. Reinstall the valve stem with plunger, spring and main cap and spring. Make sure that both o-rings are installed properly.
5. Use a twisting motion to reinstall the valve plunger into valve body. Do not pinch o-ring.
6. Tighten main cap until snug.
7. When fiberglass shower stalls or plaster is applied, allow a minimum of 1 3/4" diameter access hole to the valve stem and valve main cap. This will insure future accessibility should the valve need servicing.
8. Position label on escutcheon to correspond to valve direction.
9. Install escutcheon and tighten set screw.
10. Install valve lever handle. Tighten set screw.

WARRANTY: ZURN Valves are guaranteed against defects of material or workmanship when used for the services recommended. If in any recommended service, a defect develops due to material or workmanship, and the device is returned, freight prepaid, to ZURN within 12 months from date of purchase, it will be repaired or replaced free of charge. ZURN liability shall be limited to our agreement to repair or replace the valve only.

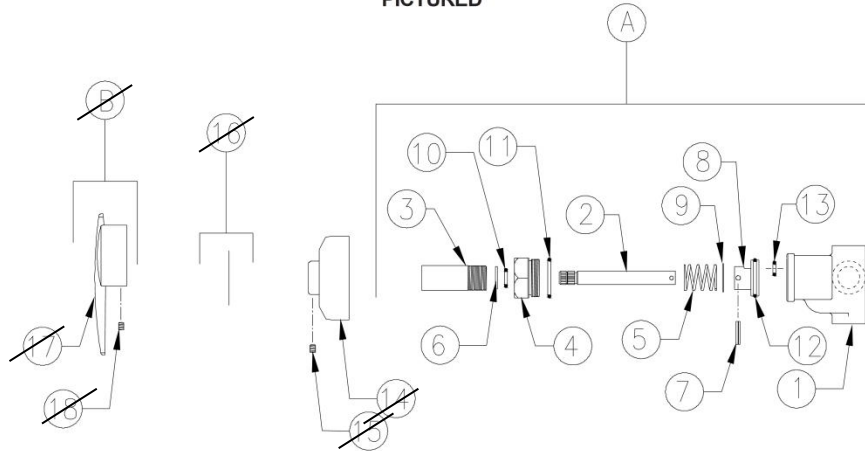
WARNING: This product contains lead. A chemical known to the State of California to cause cancer or birth defects or other reproductive harm. Attention plumber/installer: California law requires that this warning be given to the consumer.

Form # CF1009 Date: 12/19/11 Product # IS7072
C.N. No. 128430 Rev. E Sheet: 1 of 2



Ligature-Resistant Safety Products

Z7000-DV-2P
PICTURED



Item	Part Number	Description	Qty.
A	Z7072	Two Way Diverter Valve Assembly	1
1	7072-1-010F	Diverter Valve Body - 2 Way	1
2	7073-5	Valve Stem Odd Ball 12110MCH	1
3	7073-2	Sleeve Odd Ball 12120MCH	1
4	7073-3	Main Cap	1
5	7073-33	Spring	1
6	7073-14	Washer	1
7	7073-16	Split Pin	1
8	7073-34	Plunger	1
9	7073-80	Friction Ring	1
10	111N	O-Ring	1
11	122N	O-Ring	1
12	021N	O-Ring	1
13	109N-90	O-Ring	1
14	7073-81	Escutcheon	1
15	7073-11	Escutcheon Set Screw	1
16	T7073-2P	Dial Plate Tag - 2 Way Diverter Valve	1
B	Z7000-LH	Lever Handle Assembly	1
17	7000-6F	Stem Handle	1
18	7000-11G	Stem Handle Set Screw	1

ZURN INDUSTRIES, LLC. ♦ COMMERCIAL BRASS OPERATION ♦ 5900 ELWIN BUCHANAN DRIVE ♦ SANFORD NC 27330
 Phone: 1-800-997-3876 ♦ Fax: 919-775-3541 ♦ World Wide Web: www.zurn.com
 In Canada: ZURN INDUSTRIES LIMITED ♦ 3544 Nashua Drive ♦ Mississauga, Ontario L4V1L2 ♦ Phone: 905-405-8272 Fax: 905-405-1292

Form# CF1009	Date: 12/19/11	Product# IS7072
C.N. No. 128430	Rev. E	Sheet. 2 of 2