

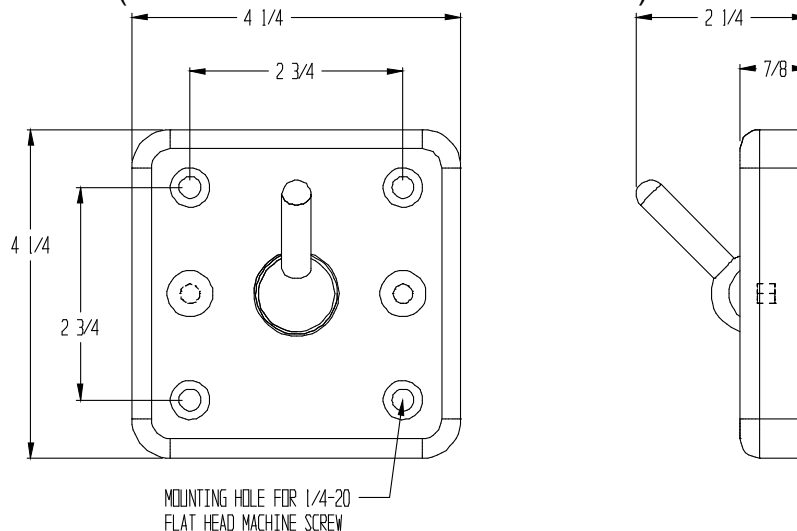
Installation and Care of SP-6 Clothes/Towel Hook

Warning: This product is ligature-resistant only when properly installed. A loosened fixture can easily be tied to. Any product which can be removed can be used as a weapon!

Note: Installation at 6' height or greater is recommended to reduce possibility of injury from the protruding hook.

Installation:

1. Refer to the diagram below for mounting hole locations. Secure to the wall using 1/4-20 fasteners¹. Use anchors as appropriate to ensure a structurally sound attachment. (Anchors and fasteners not included.)

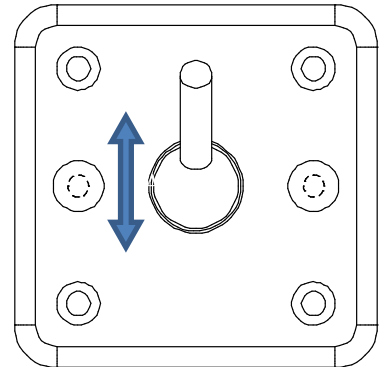


2. Verify that the unit cannot be loosened or removed. Fill any gaps between the wall and the hook with a security sealant (such as Pecora Dynapoxy EP-1200).

¹ Security fasteners are strongly recommended. The selection of a particular size and type of security fastener should be made in conjunction with a facility manager, because it depends upon factors such as construction materials and institutional standards.

Operation:

- The hook swings downward when a force is applied that exceeds the pre-set release force.
- Lift the hook upwards to return it to its original position.



Care and Maintenance:

- Clean with soft rag and mild detergent. Do not use caustic or abrasive cleaners. If discoloration occurs, use 3M Stainless Steel Cleaner and Polish with a soft cloth or Scotch Brite.
- Periodically check release force to verify proper operation. The release force can increase if dirt, grime, or other substances are allowed to build up on the ball at the base of the hook.