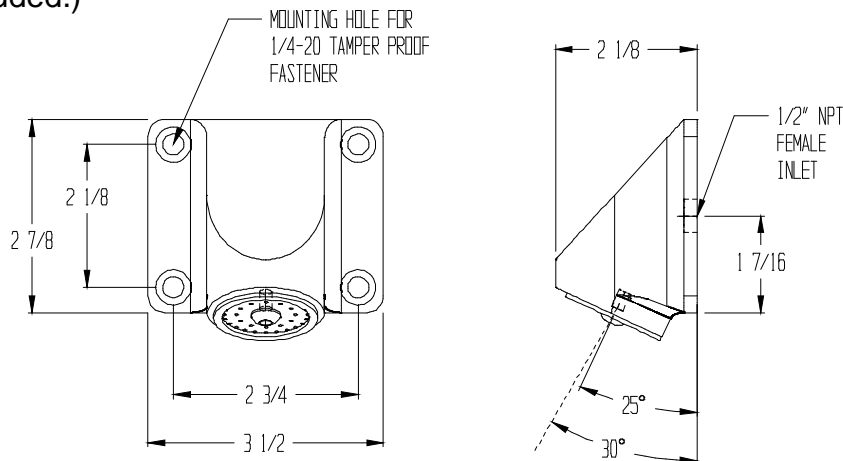


## Installation and Care of SP-7 Shower Head

**Warning:** This product is ligature-resistant only when properly installed. A loosened fixture can easily be tied to. Any product which can be removed can be used as a weapon!

### **Installation:**

1. Install in accordance with local plumbing codes. Flush pipes prior to installation. Secure to the wall using 1/4-20 fasteners<sup>1</sup>. Use anchors as appropriate to ensure a structurally sound attachment. (Anchors and fasteners not included.)



2. Verify that the shower head cannot be loosened or removed. Fill any gaps between the wall and the shower head with a security sealant (such as Pecora Dynapoxy EP-1200).

3. Adjust spray angle as desired. Referring to parts diagram on page 2, remove the face plate (7) and retainer (6). Loosen the bushing (5) and rotate the adapter (3) to achieve the desired angle. Tighten the bushing and re-install the retainer and face plate.

<sup>1</sup> Security fasteners are strongly recommended. The selection of a particular size and type of security fastener should be made in conjunction with a facility manager, because it depends upon factors such as construction materials and institutional standards.



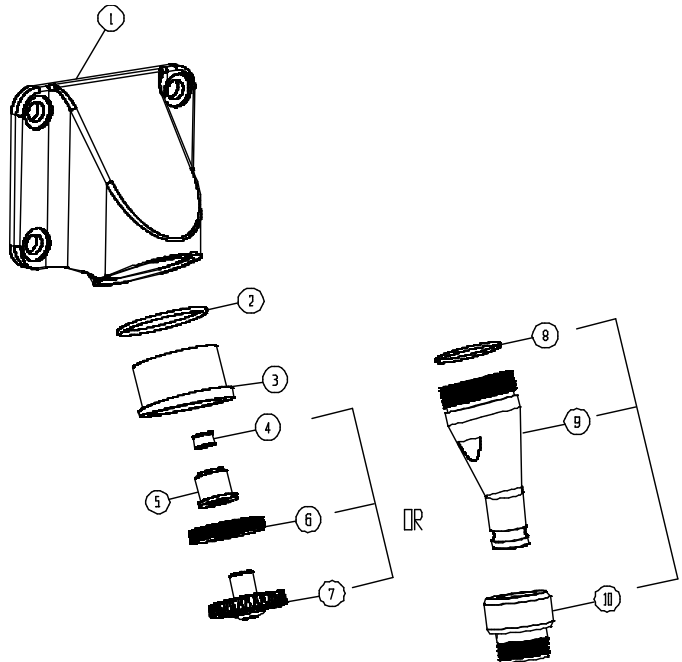
Odds Ball Industries

**Ligature-Resistant Safety Products**

**Care and Maintenance:**

- Clean with soft rag and mild detergent. Do not use caustic or abrasive cleaners.
- For replacement parts, refer to the diagram below.

FIND NO.	DESCRIPTION	QTY
1	SHOWER HEAD BODY	1
2	O-RING	1
3	ADAPTER (ANGLE CONTROL)	1
4	FLOW CONTROL	1
5	BRASS BUSHING	1
6	RETAINER	1
7	FACE PLATE WITH SCREW	1
8	O-RING, BUNA, 1-1/16" OD (3/32" OR 1/8" OR 3/16" THICK)	1
9	QUICK-CONNECT NOZZLE, 07110MCH	1
10	QUICK-CONNECT ADAPTER	1
11	HOSE, 60" (NOT SHOWN)	1
12	HAND-HELD SPRAY (NOT SHOWN)	1



SP-7 IS COMPRISED OF NO. 1 THROUGH 7

SP-7WC IS COMPRISED OF NO. 1, 2, 3, 5,  
AND NO. 8 THROUGH 12