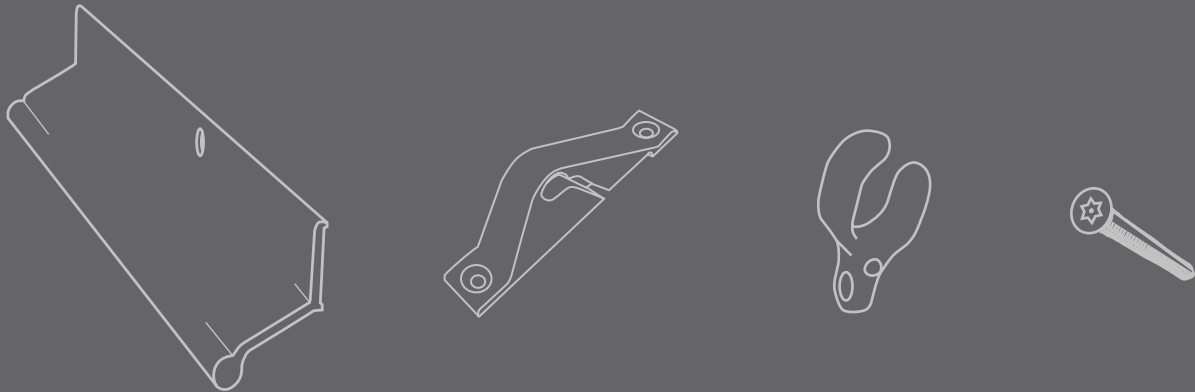


J-trac™ curtain rail - wall mounted

MOUNTING INSTRUCTIONS

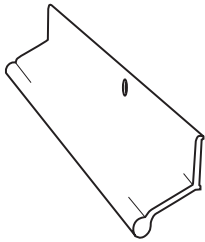


J-trac™ curtain rail, wall mounted offers the possibility to design an interior with curtain in challenging environments. It is designed to resist suicidal acts. When abnormal weight is applied the curtain and runners release from the rail, while rail parts stay securely fixed to the wall and allow no further fixation of any ligature.

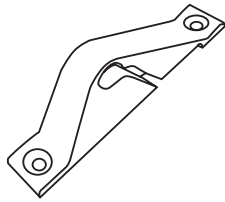
UNPACKING

- Carefully open the carton and examine that no parts have been damaged during the transportation.
- Check package content against the parts list.

Mounting parts



J-trac™ curtain rail, wall mounted
– JT 251



J-trac™ end cap, wall – JT 254, 264



J-trac™ runner – JT 255



Security screw, 50 mm, countersunk,
white – JT 283 (if ordered from HealSafe
Interior)

PREPARATION

- Mounting should be done so that the rail fits tight against the surface it is mounted against. Uneven surfaces should be avoided. Make sure that the rail is not mounted above holes/cavities or objects which could cause an unforeseen fastening behind the rail or through a combination of cavities or protruding objects. - Figure 1. ⚠
- Before cutting the rail to final measurement assure no countersunk holes are partially covered by the end cap. No part of a countersunk hole should be covered by the end cap. - Figure 2. ⚠
- The rail should preferably be mounted to a massive wall.

Figure 1

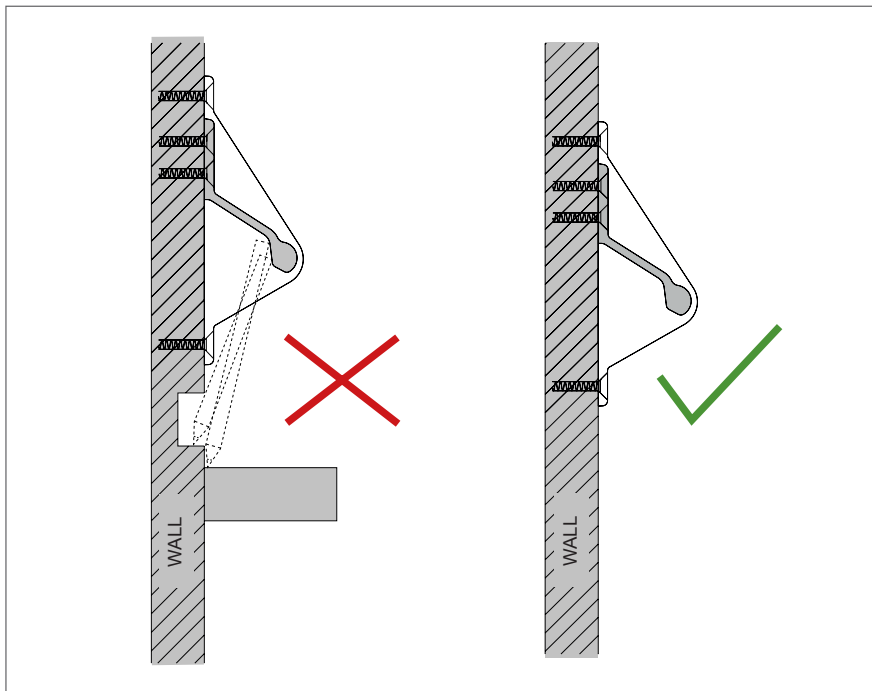
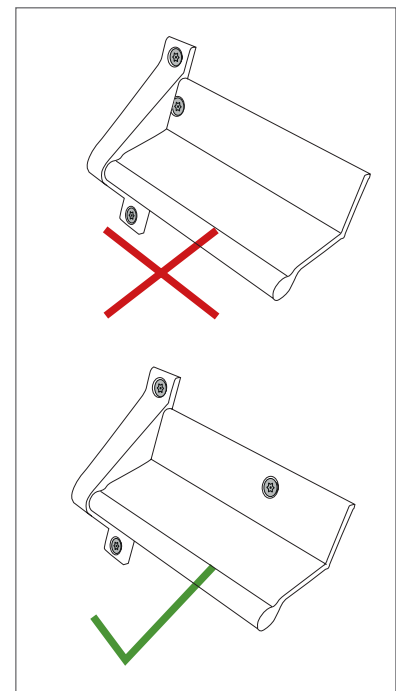


Figure 2



WARNING If not mounted securely to the wall, or not following the above instructions, or taking precautions to mount the rail properly can result in severe bodily injury or even death.

MOUNTING

- Make sure that the rail is mounted with the flat side of the profile facing the wall/window, (same side as the countersunk holes). - *Figure 3.* ⚠
- Fit the rail with countersunk security screws, secure each hole has a screw. The holes fit a screw diameter 5 mm, 10 mm head. Ensure the screws does not protrude.
- Two or more rails should not in any way be mounted parallel and adjacent to each other, it may create risk of fastening an object between them. - *Figure 4 and 5* ⚠

Figure 3

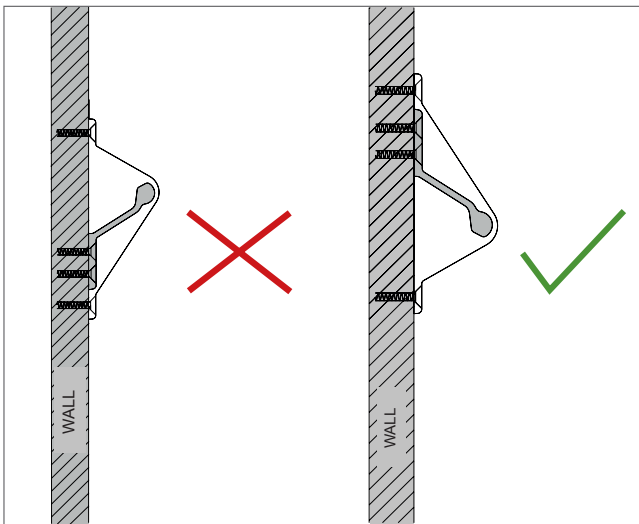


Figure 4

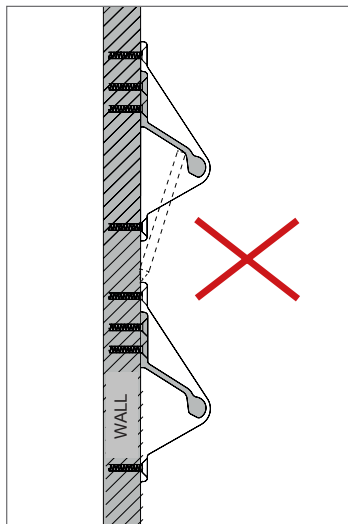
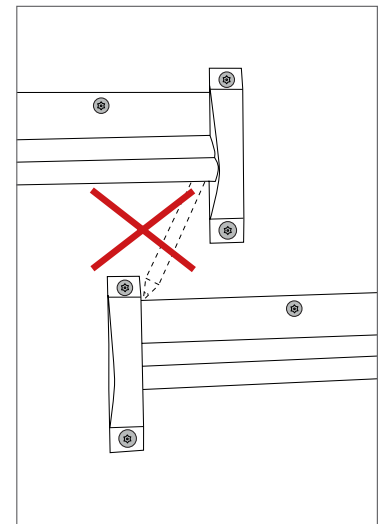


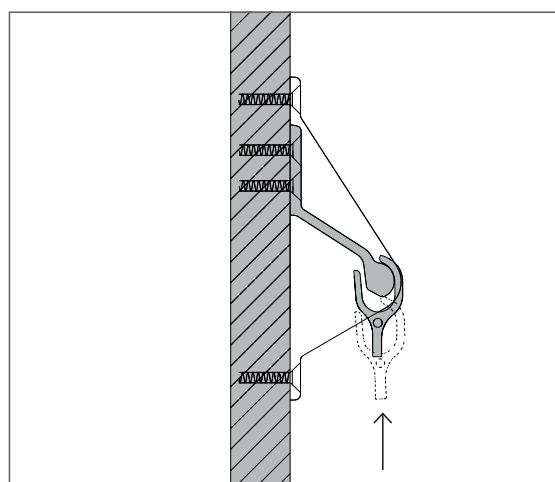
Figure 5



RUNNERS

- Snap the runner to the rail with its curved side to the curved side of the rail. - *Figure 6.* ⚠
- 12 runners bound together release at a maximum load of 4 kg/9 pounds. Appropriate number of runners per curtain is related to curtain size and weight. Please consult with HealSafe Interior® representative for advice.

Figure 6



CHECK BEFORE USE

- After installation ensure that rail fits tight to the surface and check that no objects, wire, or string can be inserted between the rail and the ceiling. ⚠
- Make sure the runners move smoothly on the mounted rail.

This mounting instruction is enclosed as a hard copy in the delivery of the products. Consumer is charged with the knowledge of the Mounting instructions for J-trac curtain rail, wall mounted set forth in any modifications. Please contact HealSafe Interior or your local distributor/supplier to ensure you have got the latest version of this mounting instruction.



Scan QR code to download Disclaimer (<https://healsafeinterior.com/disclaimer/>).

It is not possible for HealSafe Interior® to warn the consumer about every possible danger related to use of the product and the consumer must use his or her own common sense and good judgement when using the product.