



Installation, Operation, and Maintenance of SP-10PB Shower Mixing Valve

Warning: This product is ligature-resistant only when properly installed. A loosened fixture can easily be tied to. Any product which can be removed can be used as a weapon!

Note: Videos for installing and removing the handles are available on our website on the SP-10PB product pages.

Installation:

1. The SP-10-PB consists of a valve manufactured by Speakman Company and trim by Odd Ball Industries. Install the valve body per the Speakman documentation.
2. Position the wall plate (7" dia) over the valve stem, followed by the escutcheon plate (4" dia). Loosely secure the plates to the valve bonnet using the pair of long flat-head screws provided.
3. Apply sealant to the lip of the wall plate and between the wall plate and the escutcheon plate. Tighten the screws, but do not over tighten. Wipe away any excess sealant.
4. Coat the stem splines with Never-Seez Mariner's Choice or equivalent. (Never-Seez products are made by Bostik; 800-523-2678). **In the future, you will not be able to remove the handle non-destructively if you skip this step.**
5. Place the included Teflon gasket in the escutcheon plate. Push the handle onto the stem until it hits the gasket and plate. Turn the handle. If the handle is difficult to turn, back it out slightly¹. Try turning the handle again. Repeat until the handle turns easily.

Note: *The handle must be fully recessed in the escutcheon plate.*

¹ If you have difficulty backing out the handle, use a long ¼-20 screw to function as a jack bolt. See removal instructions for details.



6. Obtain an 8-32 flat head stainless steel screw² of appropriate length to secure the handle to the stem. **THIS SCREW IS NOT PROVIDED.**

7. Apply Loctite 220 or equivalent to the leading threads of the screw. Install the handle screw until the head is seated in the countersink, but do not compress the handle against the gasket (or the handle will bind). Back out the handle and repeat if necessary.

Removing The Handle: (Video available on our website)

1. Remove the handle screw. Significant force may be required due to the use of Loctite, so be careful not to damage the screw head.

2. Thread a long 1/4-20 machine screw into the handle. It will bottom against the valve stem, and lift the handle off the stem as the screw is turned.

***Note:** If the handle cannot be removed in this manner, it is likely that an anti-seizing agent was not used during installation. It will be necessary to remove the handle using destructive means.*

Operation:

- Ensure that both hot and cold water supplies are fully on.
- From the off position, rotating the handle clockwise starts the flow of water with the temperature increasing as the handle is turned. Rotate the handle fully counterclockwise to turn the flow of water off.

Care and Maintenance:

- *Handle:*
 - Only clean with mild detergent and a non-abrasive cloth. Aggressive cleaning techniques may remove the finish.
 - Seal any chips, cracks, or scratches in the coating with clear nail polish to prevent future peeling or flaking.
- *Valve:* No maintenance required. See Speakman IMO documentation for servicing instructions and parts list.
- *Parts:* Replacement parts are available through Odd Ball Industries.

² Security fasteners are strongly recommended. The selection of a security fastener should be made in conjunction with a facility manager.

Ligature-Resistant Safety Products

INSTRUCTIONS FOR MODELS

CPV-PB
CPV-PB-DV

NEED HELP?
For additional assistance or service please contact:

SPEAKMAN Company
400 Anchor Mill Road
New Castle, DE 19720

800-537-2107
customerservice@speakman.com
www.speakman.com

92-CPV-PB-02

TOOLS AND SUPPLIES

Pencil, Keyhole Saw, Adjustable Wrench, Solder Kit, Slip Joint Wrench, Measuring Tape, Pipe Wrench, Socket Wrench, 9/16" (14mm) Deep Well Socket

HELPFUL TOOLS & SUPPLIES:

Thread Seal Tape, Phillips Screwdriver, Tubing Cutter, Safety Glasses, Level

IMPORTANT

- Be sure to read instructions thoroughly before beginning installation.
- Be sure to have properly adjusted the Temperature Limiting Stop (TLS) as outlined in this Installation Manual.
- Inspect all connections after installation of valve.
- This valve has an operating range of 20.80 psi.
- This valve is designed to be used in conjunction with a showerhead rated at 1.75 gpm (6.6 L/min) or higher flow rate.
- NOTE:** This installation manual covers several models of valves. While the appearance of your valve may differ from those shown, the installation method is the same.
- Maximum water pressure: 125 psi static; minimum water pressure: 20 psi flowing; minimum cold supply temperature: 40 °F; maximum hot supply temperature: 160 °F; minimum hot supply temperature: 5 °F above set point.

SAFETY TIPS

Cover your drain to prevent loss of parts. Be sure to wear eye protection while cutting pipe.

MAINTENANCE

Your new Shower/Bath Valve is designed for years of trouble-free performance. Keep it looking new by cleaning it periodically with a soft cloth. The use of harsh chemicals and abrasives on any of the Speakman custom finish products may damage the finish and void the product warranty. Please be sure to only use approved cleaners. Please contact Speakman for any clarification of acceptable cleaners.

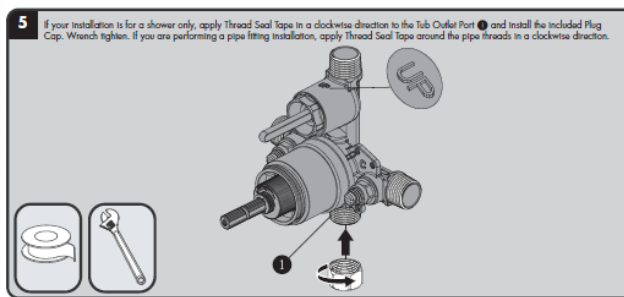
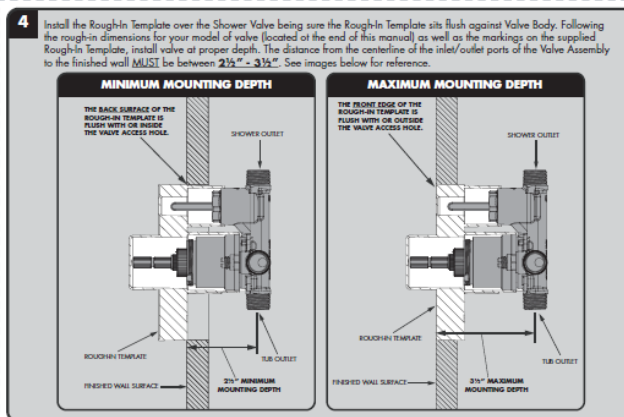
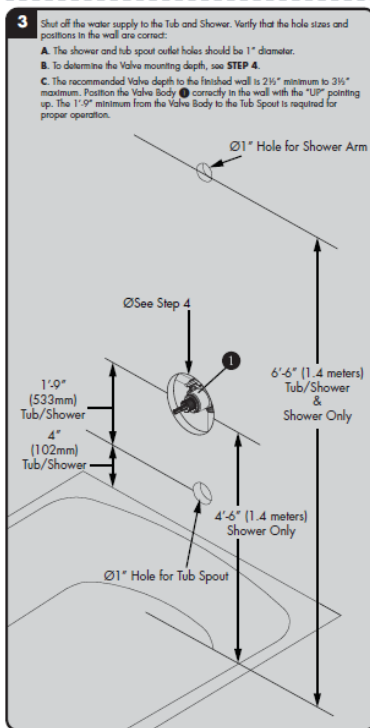
This type of valve must be cleaned and maintained on a regular basis. Periodic maintenance should be performed at least every 12 months or after any changes have been made to the building's plumbing system. This maintenance should include removing and cleaning the spring check stop components. Make sure the stop poppet in each stop moves freely. Valves that are installed outdoors should be winterized by removing all of the internal parts and removing any standing water from the valve. Quarterly the maximum hot temperature setting (TIS) should be checked and adjusted accordingly.

WARRANTY

Warranty information can be found at: www.speakman.com

1 Remove the two Screws with a Phillips Head Screwdriver then slide the Rough-In Template off the Valve.

2 Referencing the supplied rough-in dimensions located at the end of this manual, determine the preferred location of Valve. Align the supplied Rough-In Template with this location and trace outline of template onto wall. Using a Keyhole Saw or similar tool, cut along traced line and remove this section of wall.



Ligature-Resistant Safety Products

6 PIPE FITTING INSTALLATION

Connect the HOT and COLD Water Supply Lines (not included), the Shower Outlet Pipe (not included), and Tub Outlet Pipe (not included), by threading them into the Valve Body (not included), in a clockwise direction. Tighten the pipes to the Valve Body (not included), with a Pipe Wrench. Connect the Pipe Elbows (not included), to the end of the shower outlet and tub outlet pipes. If performing a shower only installation, install Plug Cap (not included) in place of tub outlet piping, as shown in STEP 5.

NOTE: The HOT water supply lines go into the H inlet, and the COLD water supply lines go into the C inlet. Do not use PEX or CPVC between the valve and spout.

7 COPPER SWEAT INSTALLATION

When performing a Copper Sweat installation, it is recommended that you remove the Valve Cartridge (not included) and Diverter Cartridge (not included) to prevent damage during soldering. Use a Slip Joint Wrench to unthread and remove the Bonnet (not included). Then remove Valve Cartridge (not included) from Valve Body (not included). Unthread and remove the Integral Steps (not included) using a Socket Wrench equipped with a 9/16" (14mm) Deep Well Socket. If your Shower Valve is equipped with an Integral Diverter, remove the Diverter Retaining Nut (not included) using an Adjustable Wrench. Remove Diverter Cartridge (not included) to prevent damage during soldering.

After soldering (STEP 8) is completed, reinstall the Valve Cartridge (not included), making sure that the mounting posts are aligned and engaged to the corresponding holes in the Valve Body (not included), with the "H" marking to the left side as shown below. Slide Bonnet (not included) over the Valve Cartridge (not included) and thread onto the Valve Body (not included). Tighten securely with Slip Joint Wrench on the machined flats of the Bonnet (not included). Final torque should be 88-106 in"lb. Take care to not over tighten connection or damage may occur. Reinstall the Integral Steps (not included) using a Socket Wrench equipped with a 9/16" (14mm) Deep Well Socket. Final torque should be 70-106 in"lb. If your Shower Valve is equipped with an Integral Diverter, reinstall the Diverter Cartridge (not included) taking care to align mounting posts of Cartridge with the corresponding holes in the Diverter Valve Body. Install Diverter Retaining Nut (not included) and tighten with an Adjustable Wrench. Final torque should be 35-53 in"lb. Take care to not over tighten connections.

NOTE: Never install the valve body upside down!

8 COPPER SWEAT FITTING INSTALLATION

Connect the HOT and COLD Water Supply Lines (not included), the Shower Outlet Pipe (not included), and Tub Outlet Pipe (not included), by soldering them into the Valve Body (not included). Connect the Pipe Elbows (not included), to the end of the shower outlet and tub outlet pipes. If performing a shower only installation, install Plug Cap (not included) in place of tub outlet piping, as shown in STEP 5. Verify that all connectors are soldered. Reassemble Valve components as outlined in STEP 7.

NOTE: The HOT water supply lines go into the H inlet, and the COLD water supply lines go into the C inlet. Do not use PEX or CPVC between the valve and spout.

9 BACK-TO-BACK INSTALLATION

Your Shower Valve has the ability to be mounted back-to-back with another Valve in a shared space. This means the HOT and COLD inlets may be reversed. Please see the following steps to adapt your valve for back-to-back mounting or reversed inlet supplies.

If you are **NOT** making a reverse or back-to-back installation, skip this step, and continue with STEP 10. If the HOT and COLD water supplies are reversed (HOT on right and COLD on left), disassemble Valve Cartridge as outlined in STEP 7. Rotate Valve Cartridge (not included) 180° so "H" appears on the right. Install the Valve Cartridge (not included) making sure that the mounting posts are aligned and engaged to the corresponding holes in the Valve Body (not included). Slide Bonnet (not included) over the Cartridge and thread onto the body. Tighten securely with Slip Joint Wrench on the machined flats of the Bonnet (not included). Final torque should be 88-106 in"lb. Take care to not over tighten connection or damage may occur.

NOTE: Never install the valve body upside down!

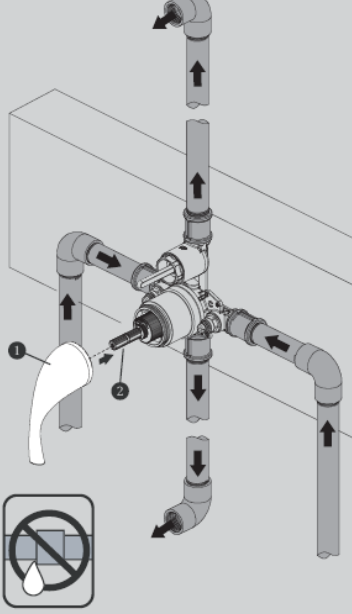


Odball Industries

Ligature-Resistant Safety Products

10 FLUSHING THE WATER OUTLETS AND CHECKING FOR LEAKS

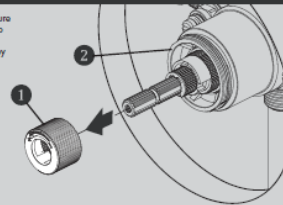
Place the Handle ① on the Valve Cartridge Spindle ② and turn the Handle ① clockwise to the full on mixed position. Turn on the HOT and COLD water supply lines and allow the water to flow from the outlets for one minute, or until all foreign matter has been flushed out. Check for leaks. Shut off the water at the Valve and supply lines. Remove the Handle ①.



11 ADJUSTING THE TEMPERATURE LIMIT STOP (TLS)

The maximum outlet temperature setting adjustment (Temperature Limit Stop [TLS]) of the Valve has been factory set at 110 °F. To adjust the limit of the maximum outlet temperature the Valve delivers, adjust the Valve's temperature limit stop (TLS) collar by following the steps below.

• With the water supplies "On" and the Valve in the "OFF" position, remove the (RED) TLS adjustment collar ① from the Cartridge ②.

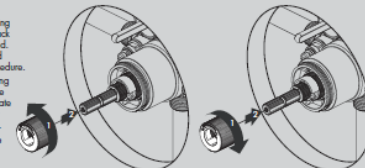


ADJUSTING THE TEMPERATURE LIMITER

• **For Colder setting**, adjust the Temperature Limiting Collar in a counter-clockwise direction and slide it back to the splined section of the Cartridge until fully seated. Rotate the Valve Spindle clockwise to check if desired outlet temperature is achieved. If not, repeat the procedure.

• **For Hotter setting**, adjust the Temperature Limiting Collar in a clockwise direction and slide it back to the splined section of the Cartridge until fully seated. Rotate the Valve Spindle clockwise to check if desired outlet temperature is achieved. If not, repeat the procedure.

• Once desired outlet temperature is achieved, rotate the spindle counter-clockwise to the "OFF" position.

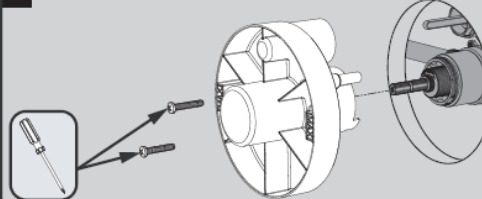


FOR COLDER WATER

FOR HOTTER WATER

NOTE: A thermometer can be held at the Valve outlet to aid in either checking the existing factory setting or reaching the desired outlet temperature.

12 Reinstall Rough-In Template over Valve to protect it during final wall preparation. Secure into position with the included screws.



CPV-PB / CPV-PB-DV SERVICE INSTRUCTIONS

Service Instructions

Caution: Any repair or servicing of the Valve may affect the maximum outlet temperature setting of the Valve. After working on the Valve, make sure the maximum outlet temperature is set to the recommended setting of 110 °F.

Pressure Balance Cartridge Removal

1) Remove Trim from Valve. Close the Integral Stops of the Valve by turning the Stop Spindles clockwise.

2) With the Valve in the "OFF" position, remove the Bonnet by unthreading with a Slip Joint Wrench.

3) If necessary, remove the Cartridge from the Valve Body by pulling on the Valve spindle of the Cartridge. Verify that the Lower Cartridge Seal is in place within the Valve Cartridge, and not within the Valve Body.

4) Replace the Pressure Balance Cartridge if necessary. When replacing the Pressure Balance Cartridge, verify that the Lower Cartridge Seal is properly installed in the recess on the bottom of the Cartridge. This Lower Cartridge Seal is positioned over the HOT & COLD inlet waterways of the Valve Body.

5) Reassemble the Bonnet by threading it into the Valve Body with a Slip Joint Wrench. Final torque should be 98-106 in/lb. **Important:** Adjust the Valve's maximum outlet temperature to the recommended setting of 110 °F. See Temperature Limit Stop adjustment steps within this document.

6) Open the Integral Stops of the Valve by turning the Stop Spindles counter-clockwise. Check Valve for leaks.

Spring Check Stop Parts Removal

1) Remove Trim from Valve. Shut off HOT and COLD water supply lines to the inlets of the Valve.

2) Unscrew the Stop's Retaining Nut using a Socket Wrench equipped with a 9/16" [14mm] Deep Well Socket. Carefully remove the Retaining Nut w/ Spindle, Spring, and Poppet assembly. Clean and/or replace the necessary parts. Reassemble the parts, reversing the above procedure. Final torque should be 70-105 in/lb. Repeat procedure on the other Stop.

3) Turn on the HOT and COLD water supply lines. Check for leaks.

Reassemble the Trim Parts.

Diverter Cartridge Removal (if present)

1) Remove Trim from Valve. Close the Integral Stops of the Valve by turning the Stop Spindles clockwise.

2) Remove the Diverter Retaining Nut using an Adjustable Wrench.

3) Remove Diverter Cartridge from Valve Body. Verify that the Lower Cartridge Seal is in place within the Diverter Cartridge, and not within the Valve Body.

4) Replace the Diverter Cartridge if necessary. When replacing the Diverter Cartridge, make sure that the mounting posts are aligned and engaged to the corresponding holes of the Valve Body.

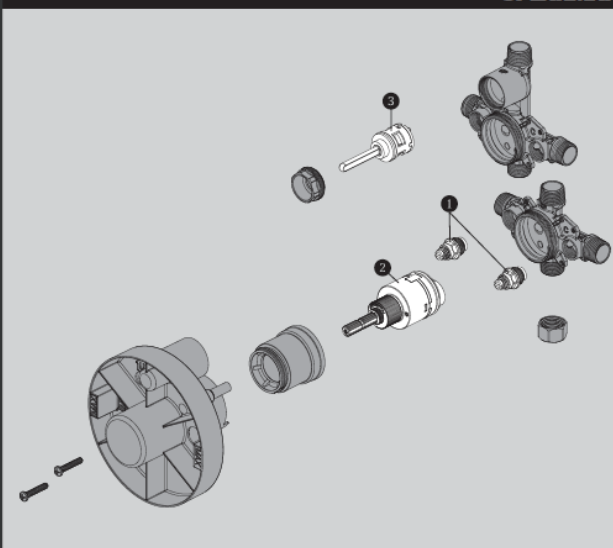
5) Reassemble the Diverter Retaining Nut using an Adjustable Wrench. Final torque should be 35-53 in/lb.

6) Open the Integral Stops of the Valve by turning the Stop Spindles counter-clockwise. Check for leaks.

Reassemble the Trim Parts.

CPV-PB / CPV-PB-DV REPAIR PARTS

SPEAKMAN



ITEM #	PART #	DESCRIPTION
1	RP650-21029	CHECK STOP REPAIR KIT
2	RP605-1124	PRESSURE BALANCE CARTRIDGE
3	RP605-0897	DIVERTER CARTRIDGE

Ligature-Resistant Safety Products

CPV-PB ROUGH-IN DIAGRAM

SPEAKMAN®

NOTES:

COMPLIANCE:

ASME A112.18.1/CSA B125.1

ASSE1016/ASME A112.1016/CSA B125.16

CONNECTIONS:

Hot/Cold Inlets: 1/2" Female Copper Sweat
1/2" NPT Male

Shower Outlet: 1/2" Female Copper Sweat
1/2" NPT Male

Tub Outlet: 1/2" Female Copper Sweat
1/2" NPT Male
(Cap included for Shower Only Connections)

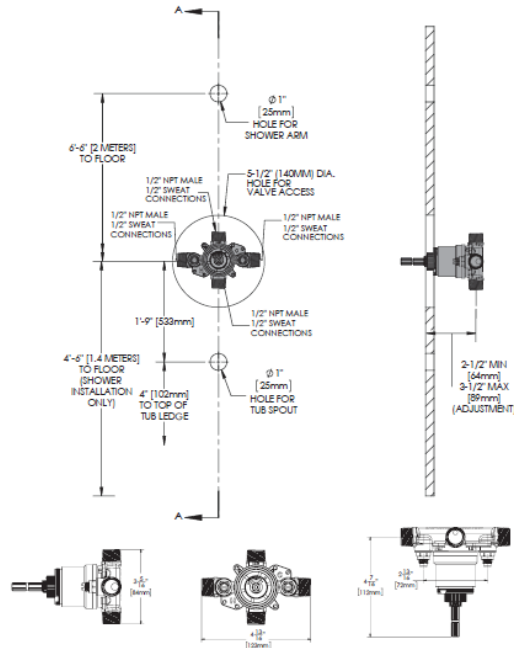
NOTES:

This valve is designed to be used in conjunction with a shower-head rated at 1.75 gpm (6.6 L/min) or higher flow rate

Contractor to supply necessary inlet connections.

DIMENSIONS SUBJECT TO CHANGE WITHOUT NOTICE. FOR ADA MOUNTING LOCATIONS, CONSULT ADAAG, ANSI A117.1, AND STATE REGULATIONS.

DIMENSIONS SUBJECT TO CHANGE WITHOUT NOTICE.



CPV-PB-DV ROUGH-IN DIAGRAM

SPEAKMAN®

NOTES:

COMPLIANCE:

ASME A112.18.1/CSA B125.1

ASSE1016/ASME A112.1016/CSA B125.16

CONNECTIONS:

Hot/Cold Inlets: 1/2" Female Copper Sweat
1/2" NPT Male

Shower Outlet: 1/2" Female Copper Sweat
1/2" NPT Male

Tub Outlet: 1/2" Female Copper Sweat
1/2" NPT Male
(Cap included for Shower Only Connections)

NOTES:

This valve is designed to be used in conjunction with a shower-head rated at 1.75 gpm (6.6 L/min) or higher flow rate

Contractor to supply necessary inlet connections.

DIMENSIONS SUBJECT TO CHANGE WITHOUT NOTICE. FOR ADA MOUNTING LOCATIONS, CONSULT ADAAG, ANSI A117.1, AND STATE REGULATIONS.

DIMENSIONS SUBJECT TO CHANGE WITHOUT NOTICE.

