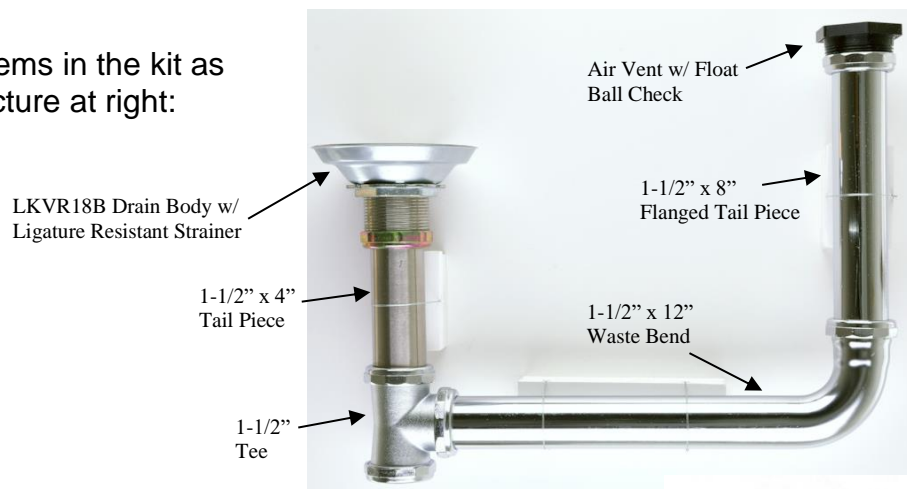


Installation and Care of SP-11GDK-S Sink Grid Strainer Kit

Warning: This product is ligature-resistant only when properly installed. A loosened fixture can easily be tied to. Any product which can be removed can be used as a weapon!

Installation:

1. Identify the items in the kit as shown in the picture at right:



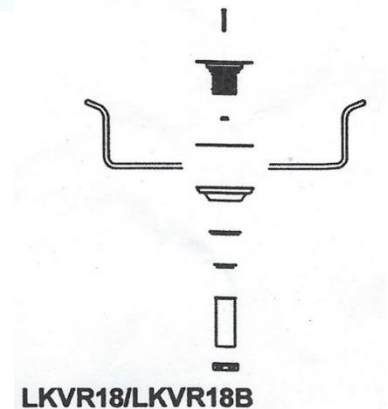
2. Install the drain body and 4" tail piece in the sink per the diagram from Elkay at right. Use putty or sealant.

3. Arrange the tubular components and vent as shown in the picture in step one. Cut the tubular components as needed to fit the assembly in under the sink. **(The air vent should be as the high as possible under the countertop).**

4. Connect components as arranged in the picture

5. Connect the bottom of the tee to P-trap (not included).

6. Ensure that all under-sink components are kept within a secure enclosure



Care and Maintenance:

- Clean drain with soft rag and mild detergent. Do not use caustic or abrasive cleaners.