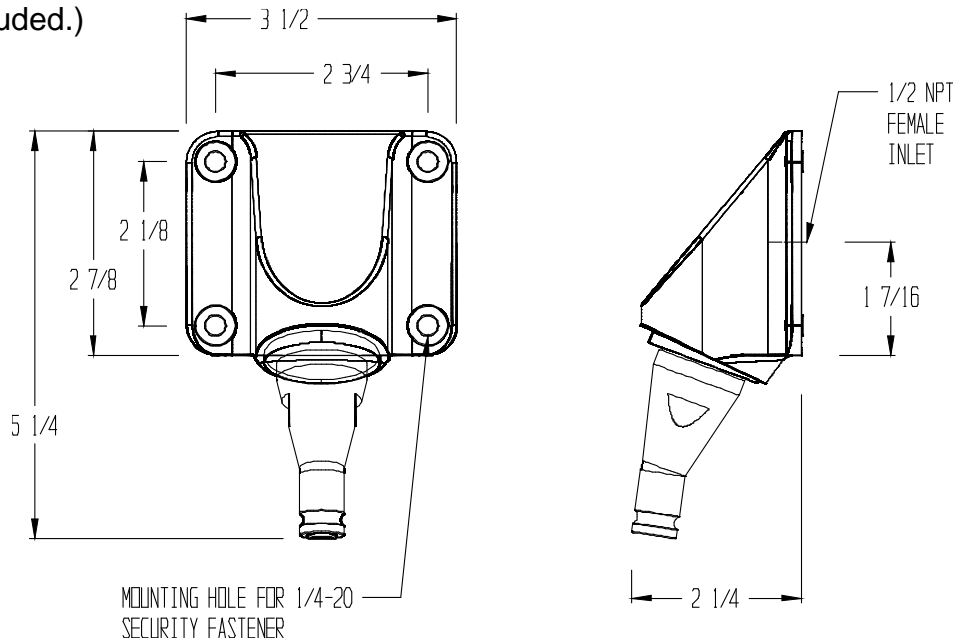


Installation, Operation, and Maintenance of SP-7WC Quick Connect Hand Shower

Warning: This product is ligature-resistant only when properly installed. A loosened fixture can easily be tied to. Any product which can be removed can be used as a weapon!

Installation:

1. Install in accordance with local plumbing codes. Flush pipes prior to installation. Secure to the wall using 1/4-20 fasteners¹. Use anchors as appropriate to ensure a structurally sound attachment. (Anchors and fasteners not included.)



2. Verify that the SP-7WC cannot be loosened or removed. Fill any gaps between the wall and the tub filler with a security sealant (such as Pecora Dynapoxy EP-1200).

¹ Security fasteners are strongly recommended. The selection of a particular size and type of security fastener should be made in conjunction with a facility manager, because it depends upon factors such as construction materials and institutional standards.



Ligature-Resistant Safety Products

3. The hose and spray head are packaged separately from the SP-7WC. Thread the hose and spray head together, and connect the female half of the quick connect to the other end of the hose. (The female half of the quick connect is shipped attached to the Quick Disconnect Adapter).

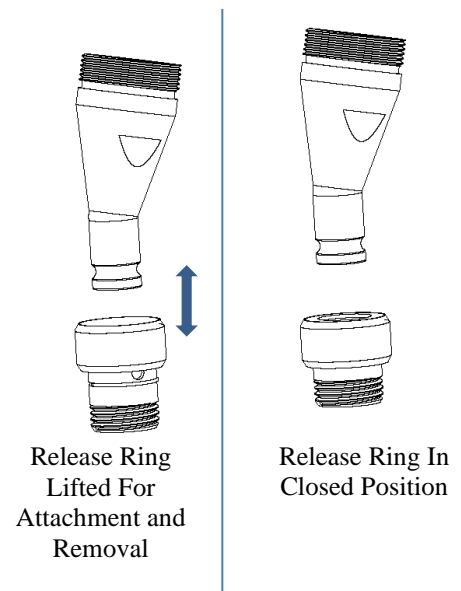
Operation of the Quick Connect:

Attachment

1. Hold the release ring (with the rubber band on it) from the female (hose) end and push upward onto the nozzle. The ring will lift and will snap back into place signifying a good connection.
2. If the ring does not snap into place by itself, push the hose connection upward with one hand while pulling down on the ring with the other.

Removal

1. Lift the ring (with the rubber band on it). While the ring is still lifted, pull the entire hose unit away from the nozzle.



Caution: The hand-held shower attachment is only intended for use under the supervision of facility staff. When not in use, the hose and spray head must be removed from the SP-7WC and stored in a secure location.

Care and Maintenance: Only clean with mild detergent and a non-abrasive cloth. Aggressive cleaning techniques may remove the finish.