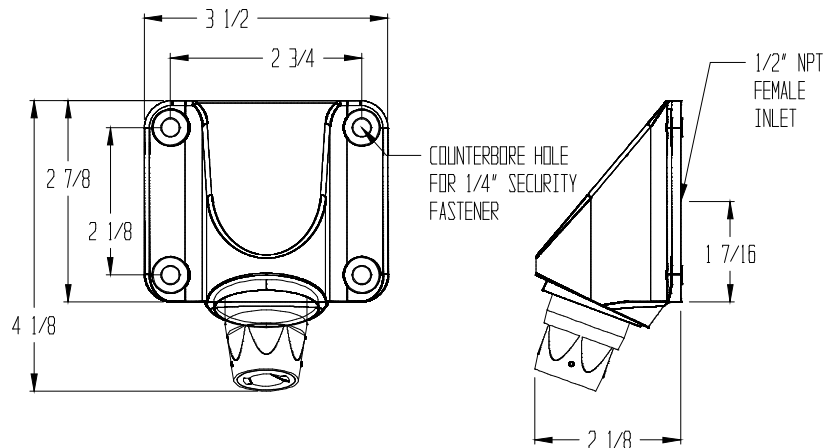


Installation, Operation, and Maintenance of SP-7TC Twist Connect Hand Shower

Warning: This product is ligature-resistant only when properly installed. A loosened fixture can easily be tied to. Any product which can be removed can be used as a weapon!

Installation:

1. Install the shower head body in accordance with local plumbing codes. Flush pipes prior to installation. Secure to the wall using 1/4" fasteners¹. Use anchors as appropriate to ensure a structurally sound attachment. (Anchors and fasteners not included.)



2. Verify that the SP-7TC cannot be loosened or removed. Fill any gaps with the wall with a security sealant (such as Pecora Dynapoxy EP-1200).

3. The male adapter, hose, and hand shower are packaged separately from the shower head body.

Caution: The hand-held shower attachment is only intended for use under the supervision of facility staff. When not in use, the male adapter, hose and spray head must be removed from the SP-7TC and stored in a secure location.

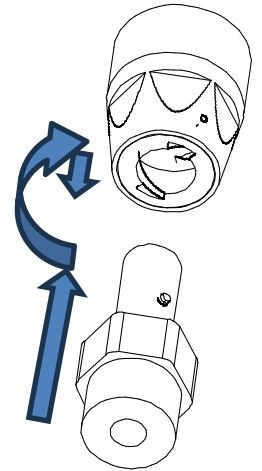
Care and Maintenance: Only clean with mild detergent and a non-abrasive cloth. Aggressive cleaning techniques may harm the finish.

¹ Security fasteners are strongly recommended. The selection of a particular size and type of security fastener should be made in conjunction with a facility manager, because it depends upon factors such as construction materials and institutional standards.

Operation of the Twist Connect:

Attachment

1. Verify that the shower valve is off. (There will be a steady drip/trickle coming from the shower head body if the valve is on.)
2. Insert the male adapter into the female adapter up to the pins.
3. With the pins aligned with the grooves, push upward and twist clockwise. There will be firm resistance as the male adapter passes through the o-ring in the shower head body.
4. When rotation stops, pull the male adapter downward. Verify there is no further rotation allowed. The pins are now in the “catch” at the end of the groove.
5. Turn on the shower valve and use the hand shower.
6. If there is insufficient flow:
 - a. Verify that the male adapter is fully inserted by checking that no further clockwise motion is possible. (The spring check mechanism will prevent flow unless the male adapter is fully inserted.)
 - b. Verify that the hand shower is not in “pause” mode by pressing the black button.



Removal

1. Turn off the shower valve.
2. Push the male adapter upward out of the catch while turning counterclockwise. Twist counterclockwise until the pins are free, then pull.

Caution: The hand-held shower attachment is only intended for use under the supervision of facility staff. When not in use, the male adapter, hose and spray head must be removed from the SP-7TC and stored in a secure location.